

PLAST-AX

GET THE EDGE

- 3-4 2Y³ DUMPSTER
- 5-6 FEL DUMPSTER ACCESSORIES
- 7-8 FEL DUMPSTER LIDS
- 9-10 2Y³ SIZE GUIDE

FRONT LIFT BINS:
2 YARD³

**SAFER. EASIER. BETTER LOOKING.
DUMPSTERS THAT MAKE THE CUT**



2 YARD DUMPSTER



Ideal for use indoors

2 YARD FRONT LOAD DUMPSTERS

Capacity:	400 Gallons
Fill Height:	36 in +6 in with castors
Tare Weight:	196lb
Weight Rating:	1323 lb

PLAST-AX front load dumpsters deliver strength and endurance outside in the elements and through all the collection cycles of business as usual.

The 2 yard front load dumpster stacks 4x high for efficient transport and storage.





PLAST-AX LIDS

In detail

Lids open onto the back ribbed section of the 4y³ and 6y³ dumpsters in a tongue and groove style, so that the entire surface area is in contact (rather than having a single point of impact to stress).

The recess in the top rim creates a nice lift access point; again, utilising the dumpster rather than impacting the strength integrity of the lid.

2 YARD LOCKBAR

Our lock bar & brackets are hot dip galvanised and fit up retrospectively to the bins.

The bar and bracket are bolted in to captivated female fixings housed securely in the box section top rim.



WHEELS

In detail

5 inch wheel sets are supplied as 2x Fixed Directional, 2x Swivel Braked Castors.

Imaged: 2,645lb rated Red Polyurethane (PU) outer on a Cast Iron inner.

Imaged: 1,323lb rated Blue Rubber on a Black PU inner.

All wheels are supplied with stainless fixings.

4Y³ & 6Y³ LOCKBAR

The same lock bar has been designed to fit both the PLAST-AX 4y³ & 6y³ dumpsters

PLAST-AX lock bars are simple, robust and engineered with suitable tolerances to handle intended conditions of use.



Every lid pair is immaculately uniform.
When you care, every detail matters.



PLAST-AX FEL LIDS

Big Win.

Inherent flex and impact resistance to last.

Moulded evenly with strong corners, thick edges, and consistent strength.

Every lid pair sits square, flush, and tight together.

It's dumpsters and lids together, that's the key.

The fibreglass hinge-rod provides additional tolerance for the bin and lids to all move together.

(Conversely, with steel dumpster hinge rod, it's the steel hinge rod that bends – and stays bent. Then the lid busts and you have to fix it)

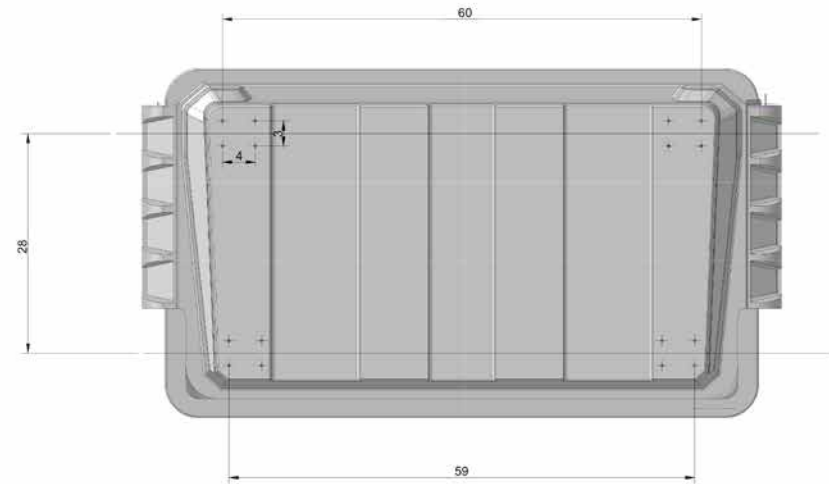
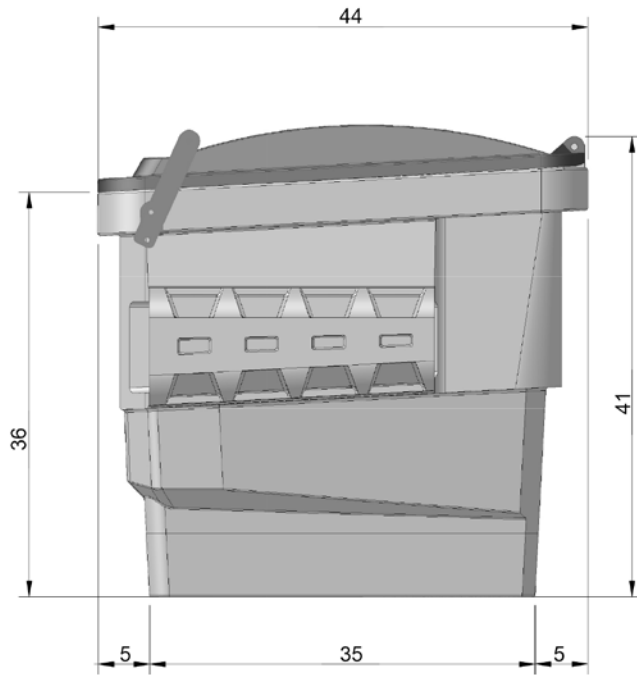
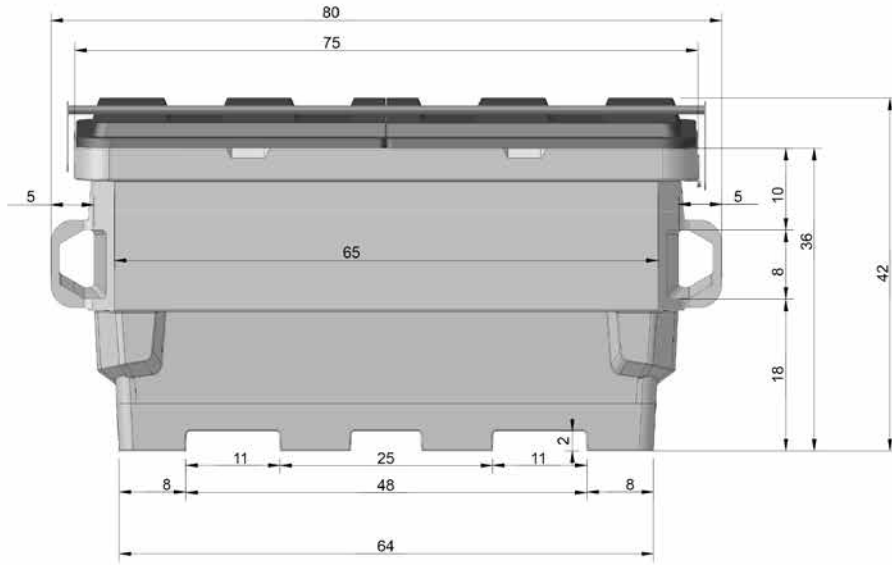
Lid pairs can be supplied in any colour to suit your company branding or to assist in directing waste streams: e.g. Light Grey for cardboard, Yellow for comingled recycling.



1/8 inch stainless split pin



FEL DUMPSTER
2 Yard



 2 YARD SIZE GUIDE